

# M700 Series 3 1/4" Frame Depth Casement (Project-Out)

## M700 SERIES CASEMENT (PROJECT-OUT)

### FEATURES

- ◇ **Commercial Framing System**
  - 3 1/4" main frame
  - Sealable corner keys
  - Crimp/Screw connections
  - 0.094" wall thickness of interior and exterior walls, 0.070" wall thickness elsewhere
- ◇ **Enhanced Design**
  - Azo-braided channel receives Azon pour and debridge thermal break which is 1/2" wide in all main frame and vent rail extrusions
  - Clean squared edges
  - 3" narrow siltlines
- ◇ **Integral Nailing Fin**
- ◇ **Glazing**
  - Impact-rated insulated glass
- ◇ **Hardware**
  - Heavy-commercial Truth Contour™ locking system (Crank-out only)
  - Low profile cam handle (Push-out only)
  - Crank-out available (4-Bar hinges or butt hinges)
  - Push-out available (4-Bar hinges)
- ◇ **Screen**
  - Standard screens (Crank-out only)
- ◇ **Meets ADA Requirements** (ADA Handle Required, Crank-out only)

### OPTIONS

- ◇ **Available Configurations**
  - Project-out Casement
  - Push-out or Crank-out (Left or Right)
  - Continuous frame capabilities
- ◇ **Muntin Choices**
  - Internal or simulated divided lites available
- ◇ **Limited travel hardware**
- ◇ **Glazing**
  - Multiple Low-E and argon glazing choices
  - Capillary tubes
  - Wide variety of glazing, tinting and thickness options
- ◇ **Panning & Trim Choices**
  - Wide variety of panning, receptor and trim available

### BENEFITS

- ◇ Meets ASTM 1886 (Large Missile Impact testing)
- ◇ The capacity to match exterior colors for unique project facades
- ◇ The ability to facilitate large sizes for taller and wider window openings
- ◇ Modern appearance merged with superior structural integrity

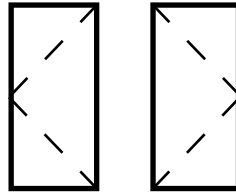
### PERFORMANCE

#### ◇ Structural & Thermal

Model	Casement (Project-Out)
Test Size	36" x 84"
NAFS Rating	AW-PG70-C
Structural Load P.S.F.	105.26
Air at 50 MPH (cfm/ft <sup>2</sup> )	<0.30
Water (No Penetration) P.S.F.	15
CR (Condensation Resistance)	
U-Value (ranges based on multiple Low-E/Argon combinations)	
SHGC (ranges based on multiple Low-E/Argon combinations)	
Missile Level	Level D
Wind Zone	Zone 4

Our products are tested to the standards of and certified by some of the foremost organizations in the fenestration industry.

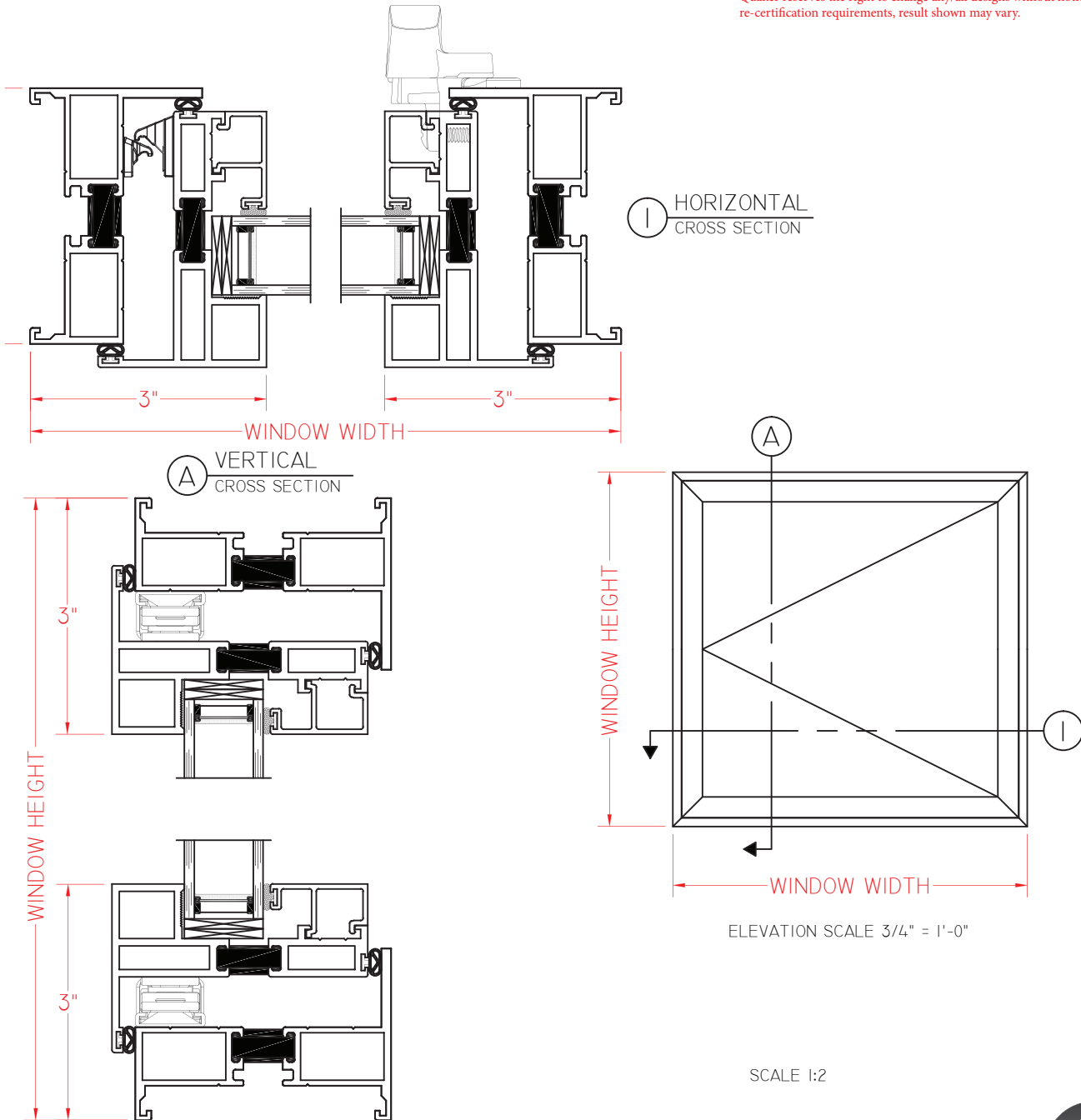




**M700 Series**  
**3 1/4" Frame Depth**  
**Casement (Project-Out)**

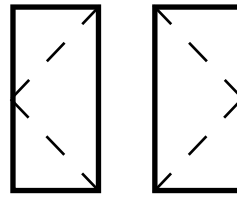
**M700 SERIES PUSH-OUT CASEMENT (PROJECT-OUT)**

This document contains confidential and proprietary information intended for the private use of Quaker.  
 © 2019 Quaker Window Products Co., INC. All rights reserved.  
 Quaker reserves the right to change any/all designs without notice. Due to periodic re-certification requirements, result shown may vary.



Our products are tested to the standards of and certified by some of the foremost organizations in the fenestration industry.

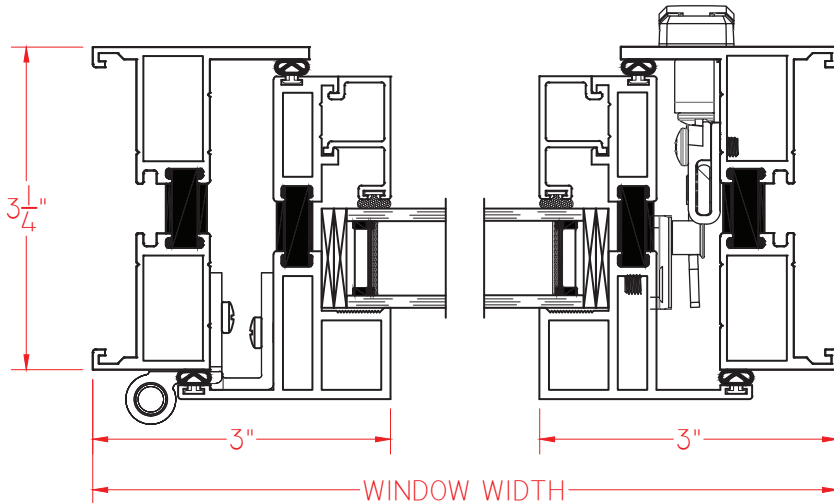




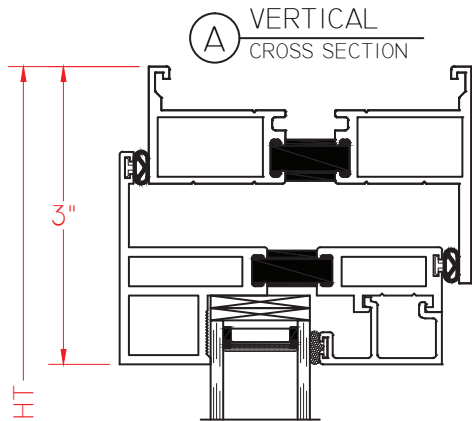
# M700 Series 3 1/4" Frame Depth Casement (Project-Out)

## M700 SERIES ROTO CASEMENT (PROJECT-OUT)

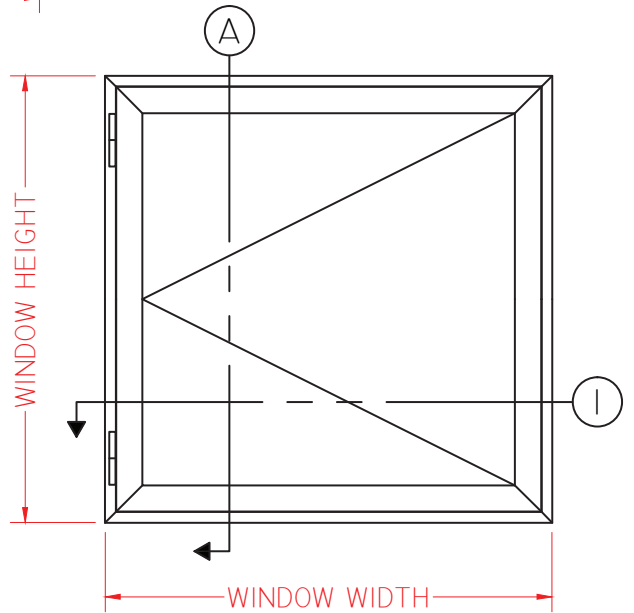
This document contains confidential and proprietary information intended for the private use of Quaker.  
 © 2019 Quaker Window Products Co., INC. All rights reserved.  
 Quaker reserves the right to change any/all designs without notice. Due to periodic re-certification requirements, result shown may vary.



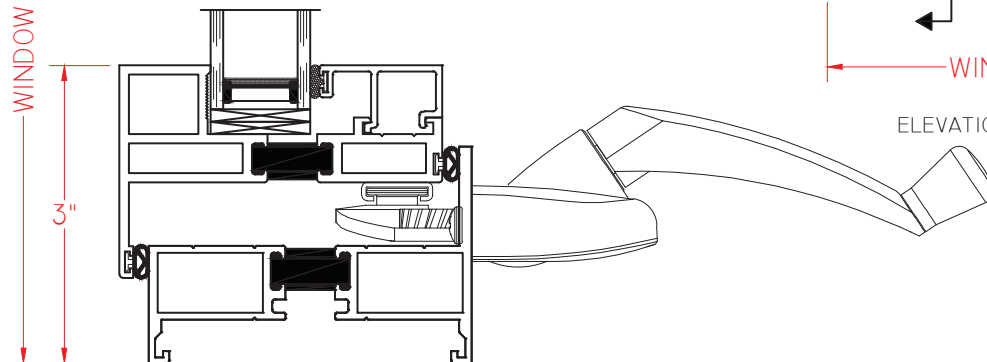
① HORIZONTAL CROSS SECTION



Ⓐ VERTICAL CROSS SECTION



ELEVATION SCALE 3/4" = 1'-0"



SCALE 1:2

Our products are tested to the standards of and certified by some of the foremost organizations in the fenestration industry.

